

2/2-way valves DN 8 to DN 50

For neutral gases and liquid fluids

Solenoid actuated, with forced lifting

Diaphragm valves

Internal threads G 1/4 to G 2 or 1/4 NPT to 2 NPT

Operating pressure 0 to 10 / 16 bar

82540

82640

Click-on®



Description (standard valve)

Solenoid valve for e. g. air, water, oil

Switching function:	normally closed
Flow direction:	determined
Fluid temperature:	-10 °C up to max. +90 °C
Ambient temperature:	-10 °C up to max. +50 °C
Mounting position:	optional, preferably solenoid vertical on top

Material

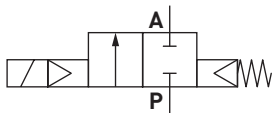
Body:	Brass (CW617N)
Seat seal:	NBR
Internal parts:	Stainless steel, PVDF, Brass

For contaminated fluids insertion of a strainer is recommended.

Features

- High flow rate
- For robust industry solutions
- Damped operation
- Suitable for vacuum
- For systems with low or fluctuating pressure
- Valve operates without differential pressure
- Solenoid interchangeable without tools (**Click-on®**) only solenoid 915x and 940x

Symbol



Ordering information

To order, quote model number from table overleaf, e. g. 8254400.9151 for a DN 25 valve.

Characteristic Data

Valves

Part Number Solenoid with ≡	Part Number Solenoid with ~	Nominal Diameter (mm)	Connection Size	Operating Pressure *		k _v -value ** (Base m ³ /h)	Weight Total (kg)
				min. (bar)	max. (bar)		
8254000.9151 8254000.9301 8264000.9151 8264000.9301	8254000.9154 8254000.9304 8264000.9154 8264000.9304	8	G 1/4 G 1/4 1/4 NPT 1/4 NPT	0	10 16 *** 10 16 ***	1.9	0.8
8254100.9151 8254100.9301 8264100.9151 8264100.9301	8254100.9154 8254100.9304 8264100.9154 8264100.9304	10	G 3/8 G 3/8 3/8 NPT 3/8 NPT	0	10 16 *** 10 16 ***	3.0	0.8
8254200.9151 8254200.9301 8264200.9151 8264200.9301	8254200.9154 8254200.9304 8264200.9154 8264200.9304	12	G 1/2 G 1/2 1/2 NPT 1/2 NPT	0	10 16 *** 10 16 ***	3.4	0.9
8254300.9151 8254300.9301 8264300.9151 8264300.9301	8254300.9154 8254300.9304 8264300.9154 8264300.9304	20	G 3/4 G 3/4 3/4 NPT 3/4 NPT	0	10 16 *** 10 16 ***	5.8	1.0
8254400.9151 8254400.9301 8264400.9151 8264400.9301	8254400.9154 8254400.9304 8264400.9154 8264400.9304	25	G 1 G 1 1 NPT 1 NPT	0	10 16 *** 10 16 ***	8.0	1.3
8254500.9401 8264500.9401	8254500.9404 8264500.9404	32	G 1 1/4 1 1/4 NPT	0	16 ***	23.0	4.3
8254600.9401 8264600.9401	8254600.9404 8264600.9404	40	G 1 1/2 1 1/2 NPT	0	16 ***	25.0	4.3
8254700.9401 8264700.9401	8254700.9404 8264700.9404	50	G 2 2 NPT	0	16 ***	41.0	5.4

* for gases and liquid fluids up to 25 mm²/s (cSt)

State voltage [V] und frequency [Hz]

** Cv-value (US) ≈ kv-value x 1.2

*** for liquid mediums and an operating pressure > 10 bar is the maximum allowed differential pressure limited to 2 bar.

Solenoid 9151 / 9154; 9401 / 9404; 9301 / 9304

Standard voltages

DC ≡	AC ~ 40 Hz – 60 Hz	
24 V	24 V	–
–	110 V	120 V
–	230 V	220 V

Design acc. to DIN VDE 0580

Voltage range ±10 %

100 % duty cycle

Protection class acc. to EN 60529 IP65

Socket Form A acc. to DIN EN 175301-803 (included)

AC with rectifier plug

Power Consumption

According to DIN VDE 0580 at coil temperature +20 °C.

In operation the power consumption of the solenoid decreases by approx. 30 %.

Solenoid	DC ≡	AC ~	
		Inrush	Holding
915x *	18 W	20 VA	20 VA
940x *	38 W	42 VA	42 VA
930x	18 W	20 VA	20 VA

*  coil only

(with the exception of solenoid 94xx up to 41 V AC)

Attention!

The conditions imposed on the Ex approvals lead to reduction of the permissible standard temperature ranges in the cases of explosion protected solenoids.

Further Options (Valves)

XXXXX01.XXXX Normally open, up to G 1 (1 NPT) with solenoid 9150 max. 10 bar,
with solenoid 8300 max. 16 bar,
from G 1 1/4 (1 1/4 NPT) only with solenoid 8400 max. 16 bar

XXXXX02.XXXX Manual override only from G 1 1/4 (1 1/4 NPT)

XXXXX03.XXXX Seat seal FPM,
fluid temperature -5 °C up to max. +110 °C

XXXXX14.XXXX Seat seal EPDM, for hot water,
fluid temperature -10 °C up to max. +110 °C

XXXXX17.XXXX Normally open, seat seal FPM,
fluid temperature -5 °C up to max. +110 °C, from G 1 1/4
(1 1/4 NPT) only with solenoid 8400 max. 16 bar

On request Further versions

Accessoires: - Manual override conversion kit
- Mounting bracket conversion kit

Further Options (Solenoids)

XXXXXX.9356 Protection class  T 140 °C

XXXXXX.8326 * Protection class  T 135 °C

XXXXXX.8426 * Protection class  T 135 °C

XXXXXX.8441 Protection class  T 140 °C

XXXXXX.9176 * Protection class  T 135 °C

XXXXXX.9191 Protection class  T 140 °C

XXXXXX.9426 * Protection class  T 135 °C

On request Further versions

* DC only, for AC solenoids with design inspection certificate according to category
2,
e. g. xxxxxxx.9191, xxxxxxx.8341 or xxxxxxx.8441

Note to Pressure Equipment Directive (PED):

The valves of this series, including the connection size DN 25 (G 1), are according to Art. 3 § 3 of the Pressure Equipment Directive (PED) 97/23/EG. This means interpretation and production are in accordance to engineers practice wellknown in the member countries.

The CE-sign at the valve refers not to the PED. Thus the declaration of conformity is not longer applicable for this directive.

For valves > DN 25 (G 1) Art. 3 § (1) No.1.4 applies.
The basic requirements of the Enclosure I of the PED must be

fulfilled. The CE-sign at the valve includes the PED. A certificate of conformity of this directive will be available on request.

Note to Electromagnetic Compatibility Guideline (EEC):

The valves shall be provided with an electrical circuit which ensures the limits of the harmonised standards EN 61000-6-3 and EN 61000-6-1 are observed, and hence the requirements of the Electromagnetic Compatibility Guideline (2004/108/EG) satisfied.

Drawings

G 1/4 - G 1 with solenoid 915x (10 bar)
 resp. 1/4 NPT - 1 NPT with solenoid 915x (10 bar)

General Dimensions

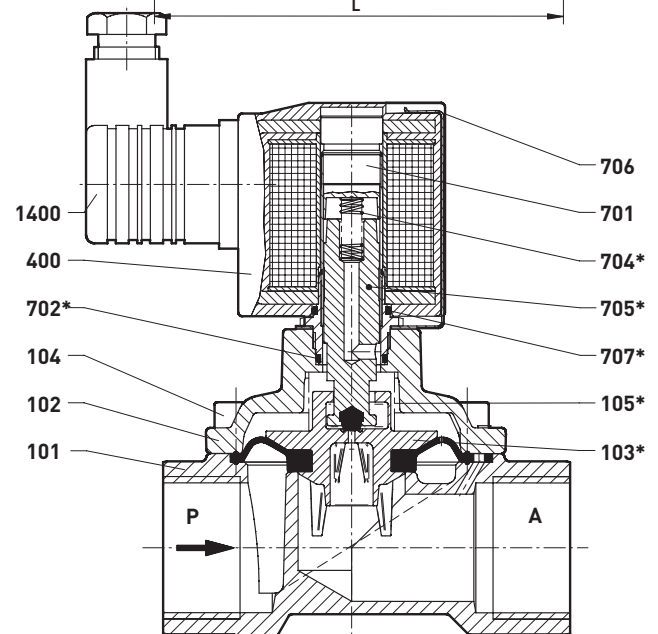
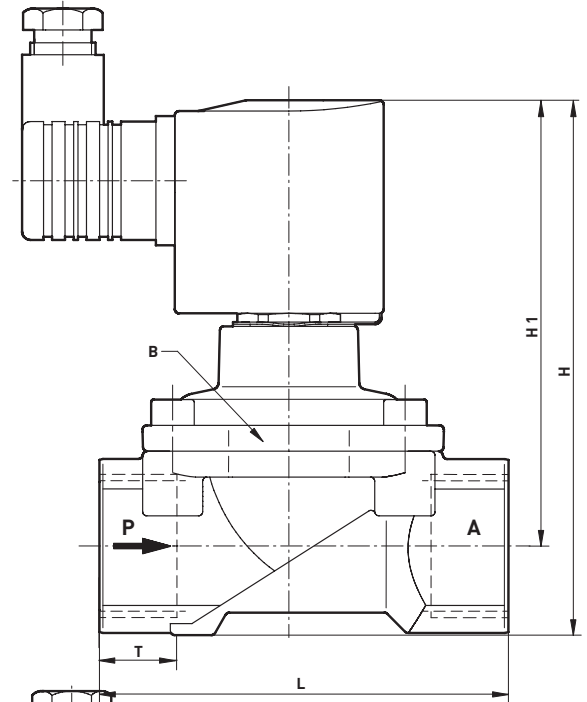
Solenoid rotatable 360°
 Socket turnable 4 x 90°
 (socket included)

Part Number	Conne- tion Size	L (mm)	H (mm)	H1 (mm)	B* (mm)	T (mm)
8254000.915x 8264000.915x	G 1/4 1/4 NPT	60	104	92.5	44	12.0 10.0
8254100.915x 8264100.915x	G 3/8 3/8 NPT	60	104	92.5	44	12.0 10.5
8254200.915x 8264200.915x	G 1/2 1/2 NPT	67	108	94.5	44	14.0 13.5
8254300.915x 8264300.915x	G 3/4 3/4 NPT	80	115	99.0	50	16.0 14.0
8254400.915x 8264400.915x	G 1 1 NPT	95	124	103.5	62	18.0 17.0

* B = max. width

Section View

- 101 Valve body
- 102 Valve cover
- *103 Diaphragm
- 104 Allen head screw
- *105 Pressure spring
- 400 Solenoid
- 701 Core tube
- *702 O-ring
- 703 Round plate
- *704 Pressure spring
- *705 Plunger
- 706 Spring clip
- *707 O-ring
- 1400 Electrical connector (included)



* These individual parts form a complete wearing unit.
 When ordering spare parts please state Cat. No. and Series No.

Drawings

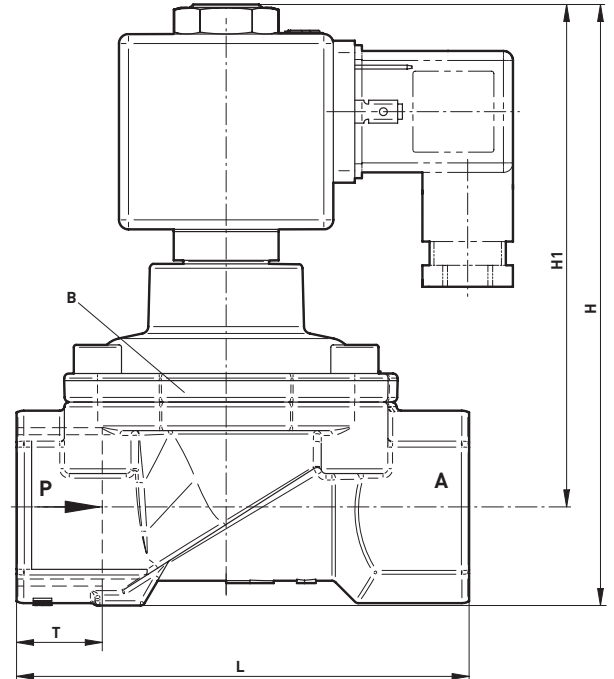
G 1/4 – G 1 with solenoid 930x (16 bar)
 resp. 1/4 NPT – 1 NPT with solenoid 930x (16 bar)

General Dimensions

Solenoid rotatable 360°
 Socket turnable 4 x 90°
 (socket included)

Part Number	Connection Size	L (mm)	H (mm)	H1 (mm)	B* (mm)	T (mm)
8254000.930x 8264000.930x	G 1/4 1/4 NPT	60	108	96	44	12.0 10.0
8254100.930x 8264000.930x	G 3/8 3/8 NPT	60	108	96	44	12.0 10.5
8254200.930x 8264200.930x	G 1/2 1/2 NPT	67	110	96	44	14.0 13.5
8254300.930x 8264300.930x	G 3/4 3/4 NPT	80	117	100	50	12.5 14.0
8254400.930x 8264400.930x	G 1 1 NPT	95	126	105	62	14.0 17.0

* B = max. width



Section View

- 101 Valve body
- 102 Valve cover
- *103 Diaphragm assembly
- 104 Allen head screw
- *105 Pressure spring
- 400 Solenoid
- 701 Core tube
- *702 O-ring
- *704 Pressure spring
- *705 Plunger
- 1400 Electrical connector (included)
- 1501 Hexagon screw
- *1502 O-ring (2x)

*These individual parts form a complete wearing unit.
 When ordering spare parts please state Cat. No. and Series No.

Drawings

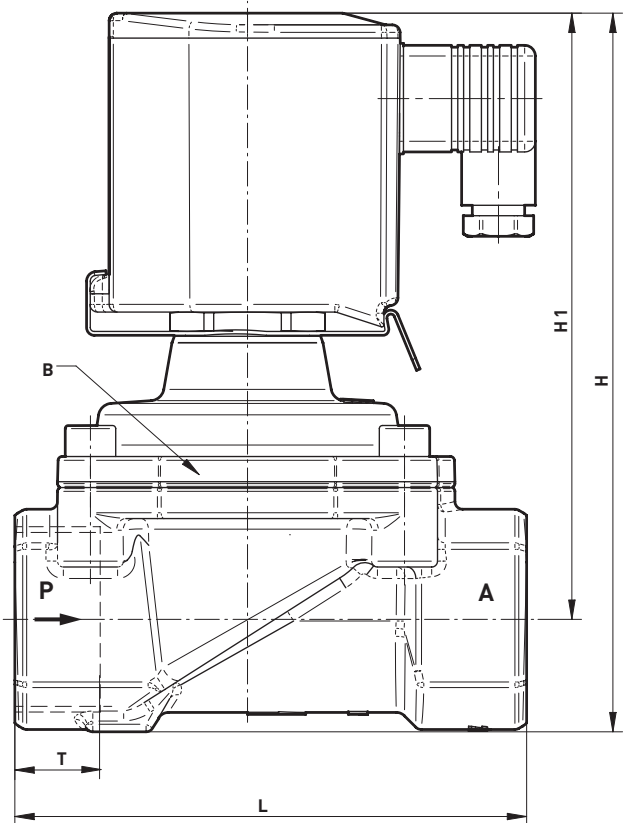
G 1 1/4 – G 2 with solenoid 940x (16 bar)
 resp. 1 1/4 NPT – 2 NPT with solenoid 940x (16 bar)

General Dimensions

Solenoid rotatable 360°
 Socket turnable 4 x 90°
 (socket included)

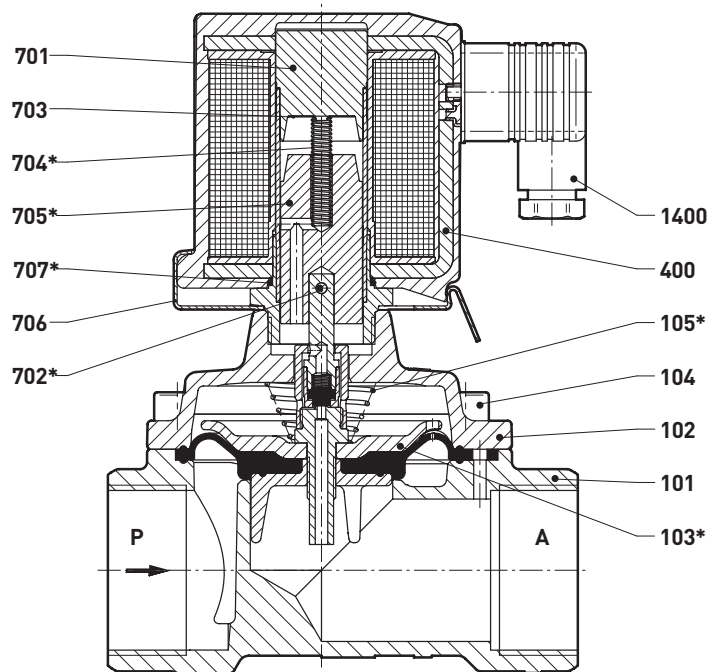
Part Number	Conne- tion Size	L (mm)	H (mm)	H1 (mm)	B* (mm)	T (mm)
8254500.940x 8264500.940x	G 1 1/4 1 1/4 NPT	132	186	157	92	20.0 17.0
8254600.940x 8264600.940x	G 1 1/2 1 1/2 NPT	132	186	157	92	22.0 17.0
8254700.940x 8264700.940x	G 2 2 NPT	160	201	167	109	24.0 17.5

* B = max. width



Section View

- 101 Valve body
- 102 Valve cover
- *103 Diaphragm
- 104 Allen head screw
- *105 Pressure spring
- 400 Solenoid
- 701 Core tube
- *702 O-ring
- 703 Round plate
- *704 Pressure spring
- *705 Plunger
- 706 Spring clip
- *707 O-ring
- 1400 Electrical connector (included)



*These individual parts form a complete wearing unit.
 When ordering spare parts please state Cat. No. and Series No.